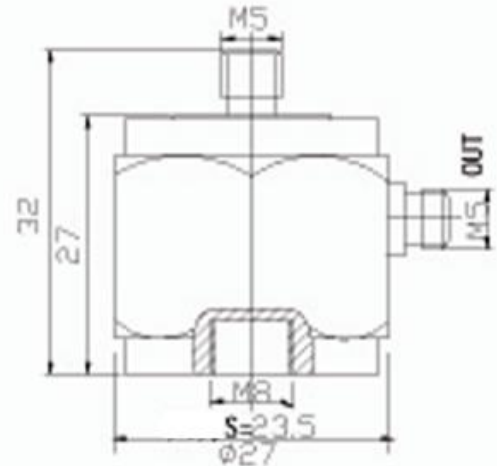
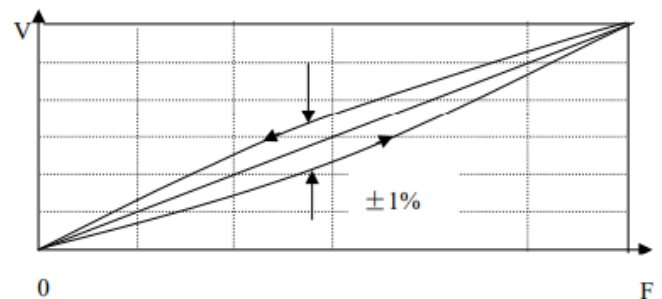


Specifications:

Axial Sensitivity (20±5°C)	~4 pC/N
Measurement Range	-1000N ~ 5000 N
Overload Capacity	120%
Non linearity	≤ 1% F.S.
Lag	≤ 1% F.S.
Non Repeatability	≤ 1% F.S.
Mounting Resonance Frequency	> 50 kHz
Operation Temp. Range	-40~+200 °C
Insulation Resistance	≥ 10 ¹³ Ω
Capacitance	~15 pF
Mounting Method	M5/M8
Sensing Element	Quartz
Case Material	Stainless Steel
Weight	55 g
Output Type	L5 (side)
Grounding	Signal Ground Connected to Case
M5 Stud, Protection Cap	Included
Low Noise Cable to BNC	Included
Calibration Certificate	Included



Schematic diagram



Typical static error curve (3 time average)