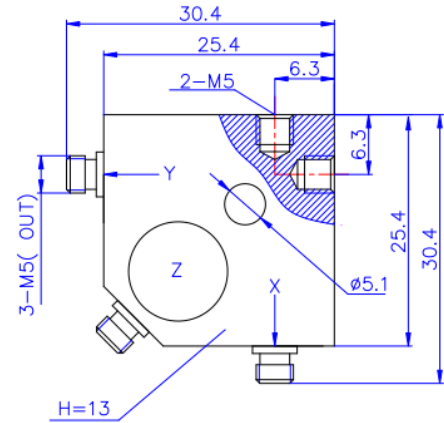


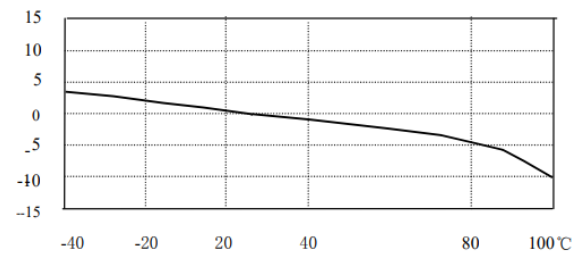
### Specifications:

Axial Sensitivity (20±5°C)	20 mV/g
Measurement Range (Peak Value)	250 g
Transverse Sensitivity	≤ 5%
Frequency Response (±5%)	1~4000 Hz
Mounting Resonance Frequency	15000 Hz
Temperature Response	Refer to Temp. Curve
Polarity	Positive
Power Supply Voltage (Constant Current Source)	+12~+28 VDC
Operation Current	+2~+10 mA
Max. Output Signal (Peak Value)	6V
Noise (1Hz~20kHz)	<2 mg
Output Impedance	<100 Ω
DC Bias Voltage	7±1 VDC
Operation Temp. Range	-40~+120 °C
Shock Limit	1000g
Temperature Coefficient	10mg/°C
Magnetic Sensitivity	1.5g/T
Base Strain Sensitivity	0.2mg/με
Weight	28g
Case Material	Stainless Steel
Mounting Method	Z: φ5 through hole X,Y: M5
Sensing Element	PZT-5
Sensing Geometry	Shear
Output Type	3 × L5 (X, Y, Z)
Grounding	Signal Ground Connected to Case
M5 Stud, Protection Cap	Included
Low Noise Cable to BNC (x 3)	Included
Calibration Certificate	Included



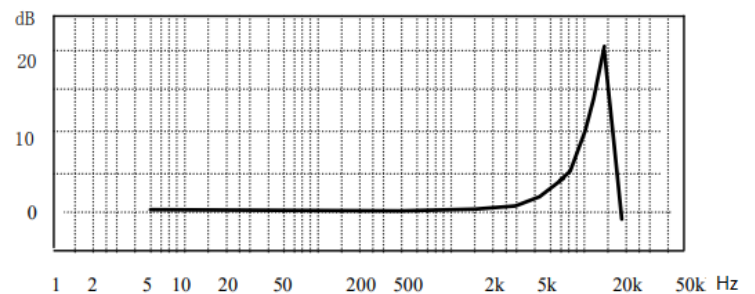
Schematic diagram

Temperature Response Curve



Typical Temperature Response Curve

Frequency Response Curve



Typical Frequency Response Curve

