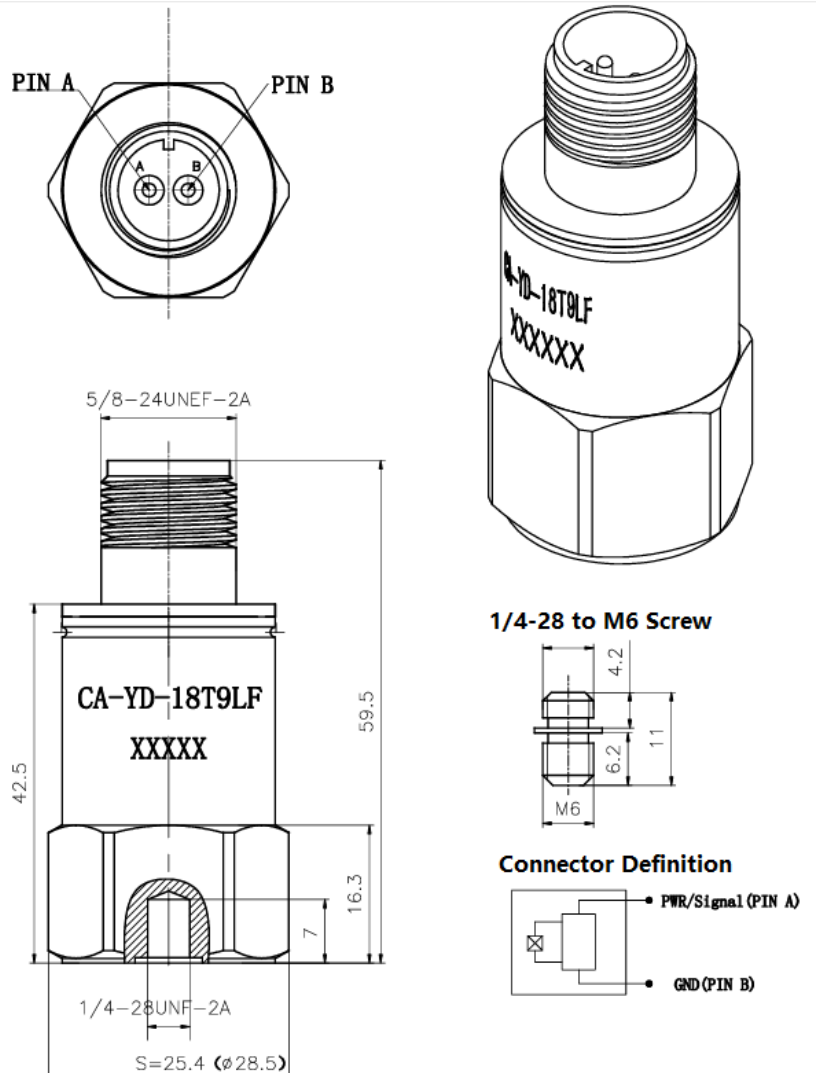


## Specifications:

Axial Sensitivity (20±5°C)	1000 mV/g
Measurement Range (Peak Value)	5 g
Transverse Sensitivity	≤ 5%
Frequency Response	±10%: 0.25~500 Hz ±3dB: 0.1~1000 Hz
Temperature Response -40 °C ~ 120 °C	±10%
Nonlinearity	≤ 1%
Power Supply Voltage (Constant Current Source)	+18~+30 VDC
Operation Current	+2~+10 mA
Noise (rms)	≤80 μV
Output Impedance	< 100 Ω
DC Bias Voltage	10 ~14 VDC
Operation Temp. Range	-20~+80 °C
Shock Limit	1000 g
Stable Time	< 8s
Ingress Protection	IP67
Insulation Impedance (@100VDC)	>100 MΩ
Insulation Resistance to High Voltage	1000V
Weight	~140g
Case Material	316L Stainless Steel
Sealing Method	Laser-Welded Hermetic
Mounting Method	1/4 -28
Sensing Element	Piezoelectric Ceramics
Sensing Geometry	Shear
Output Type	2-pin MIL-C-5015 (Top)
Grounding	Signal Ground Isolated from Case
Installation Torque	2.7~6.8 N·m
1/4 -28 to M6 screw	Included
Low Noise Cable to BNC	Included
Calibration Certificate	Included



Schematic diagram

