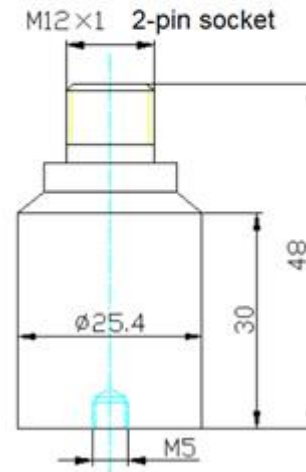
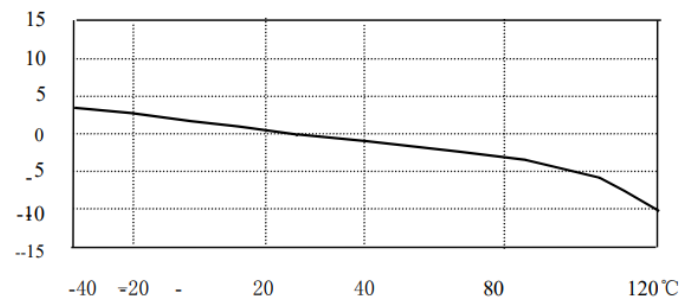


## Specifications:

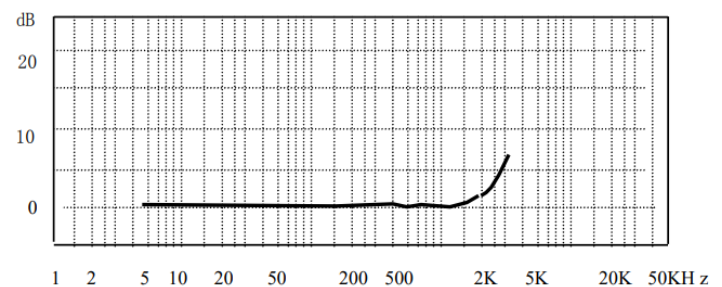
Axial Sensitivity (20±5°C)	500 mV/g ± 5%
Measurement Range (Peak Value)	10g
Transverse Sensitivity	≤ 5%
Frequency Response (± 5%)	0.3~3000 Hz
Mounting Resonant Frequency	≥ 6 kHz
Temperature Response	Refer to Temp. Curve
Power Supply Voltage (Constant Current Source)	+12~+28 VDC
Operation Current	+2~+10 mA
Max. Output Signal (Peak Value)	6V
Noise	< 0.08mg
Output Impedance	< 100 Ω
DC Bias Voltage	7±1 VDC
Operation Temp. Range	-40~+120 °C
Shock Limit (Peak Value)	2000g
Temperature Coefficient	50mg/°C(0.3Hz)
Magnetic Sensitivity	0.6g/T
Base Strain Sensitivity	0.4mg/με
Installation ground insulation	≥ 10 <sup>8</sup> Ω
Weight	90g
Case Material	Stainless Steel
Mounting Method	M5
Sensing Element	Piezoelectric Ceramics
Sensing Geometry	Shear
Output Type	Top 2-pin socket
Grounding	Signal Ground Isolated from Case
M5 Stud, Protection Cap	Included
Low Noise Cable to BNC	Included
Calibration Certificate	Included



Schematic diagram



Typical Temperature Response Curve



Typical Frequency Response Curve