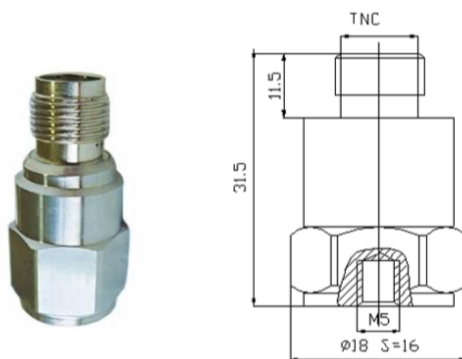
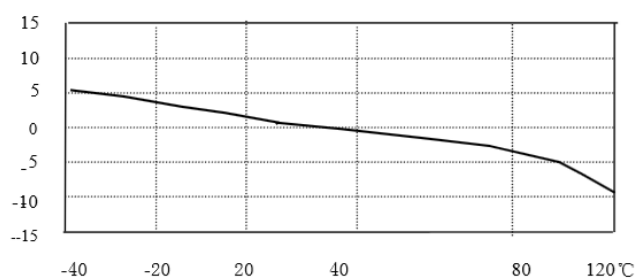


## Specifications:

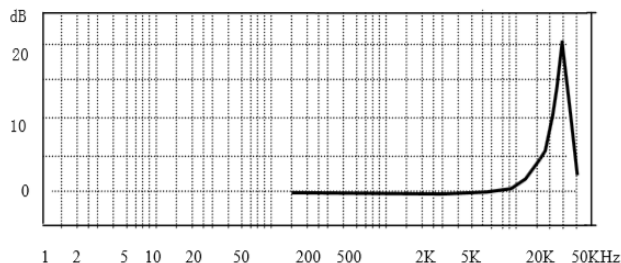
Axial Sensitivity (20±5°C)	50 mV/g
Measurement Range (Peak Value)	100g
Transverse Sensitivity	≤ 5%
Frequency Response (±5%)	0.5~5000 Hz
Mounting Resonance Frequency	≥ 25 kHz
Temperature Response	Refer to Temp. Curve
Polarity	Positive
Power Supply Voltage (Constant Current Source)	+12~+24 VDC
Operation Current	+2~+10 mA
Max. Output Signal (Peak Value)	6V
Noise (1Hz~20kHz)	< 2 mg
Output Impedance	< 100 Ω
DC Bias Voltage	7±1 VDC
Operation Temp. Range	-40~+120 °C
Shock Limit	2000g
Temperature Coefficient	0.1g/°C(0.3Hz)
Magnetic Sensitivity	2g/T
Base Strain Sensitivity	0.1g/με
Weight	35g
Case Material	Stainless Steel
Mounting Method	M5
Sensing Element	PZT-5
Sensing Geometry	Shear
Output Type	TNC (7/16-28UNEF-2A)
Grounding	Signal Ground Connected to Case
M5 Stud, Protection Cap	Included
Low Noise Cable to BNC	Included
Calibration Certificate	Included



Schematic diagram



Typical Temperature Response Curve



Typical Frequency Response Curve