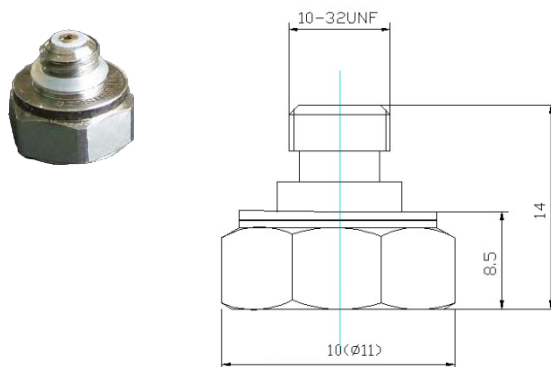
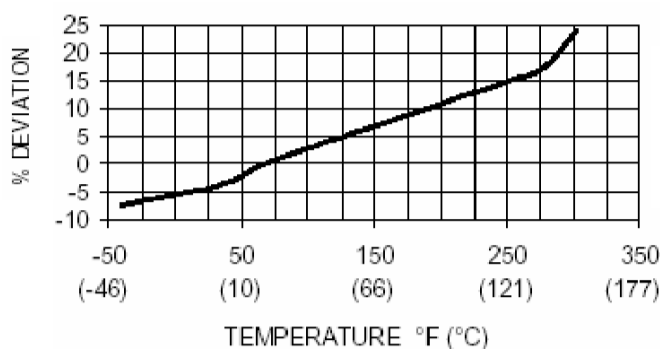


### Specifications:

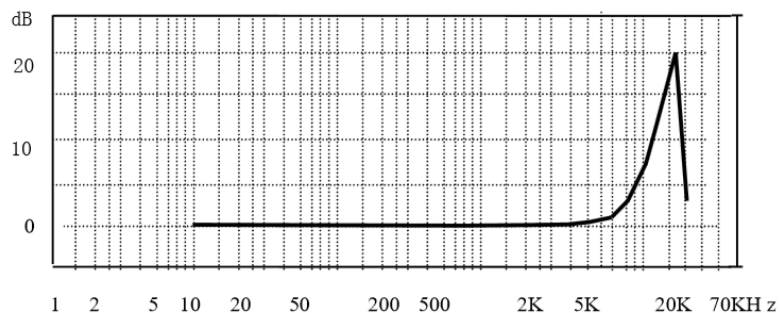
Axial Sensitivity (20±5°C)	~100 mV/g
Measurement Range (Peak Value)	50 g
Transverse Sensitivity	≤ 5%
Frequency Response (±5%)	0.5~8000 Hz
Mounting Resonance Frequency	18000 Hz
Temperature Response	Refer to Temp. Curve
Polarity	Positive
Power Supply Voltage (Constant Current Source)	+18~+28 VDC
Operation Current	+2~+10 mA
Max. Output Signal (Peak Value)	6V
Noise (1Hz~20KHz)	<0.5 mg
Output Impedance	<100 Ω
DC Bias Voltage	11±1.5 VDC
Operation Temp. Range	-40~+120 °C
Shock Limit	2000g
Temperature Coefficient	10mg/°C(0.3Hz)
Magnetic Sensitivity	1g/T
Base Strain Sensitivity	2mg/με
Weight	6.5g
Case Material	Stainless Steel
Mounting Method	Adhesive
Sensing Element	PZT-5
Sensing Geometry	Shear
Output Type	L5 (top)
Grounding	Signal Ground Connected to Case
Low Noise Cable L5 to BNC	Included
Calibration Certificate	Included



Schematic diagram



Typical Temperature Response Curve



Typical Frequency Response Curve